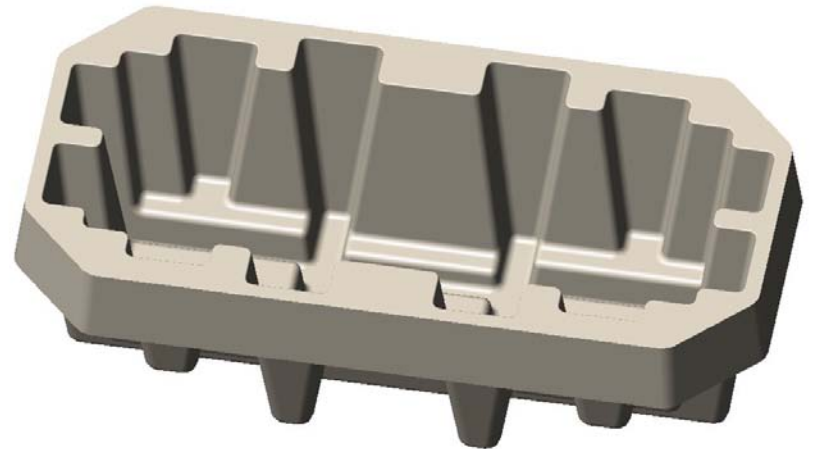


***WHY Molded Pulp
from
Pacific Pulp Molding?***



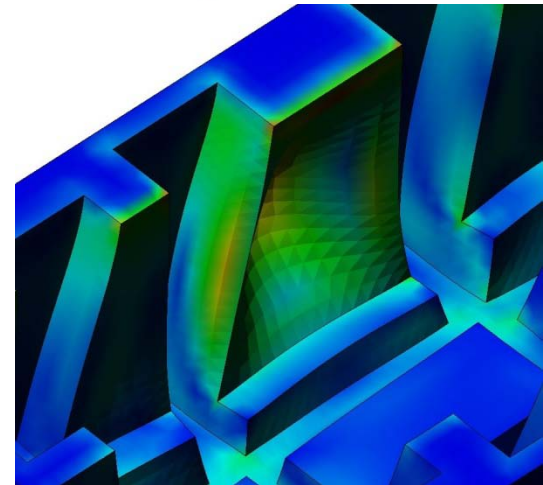
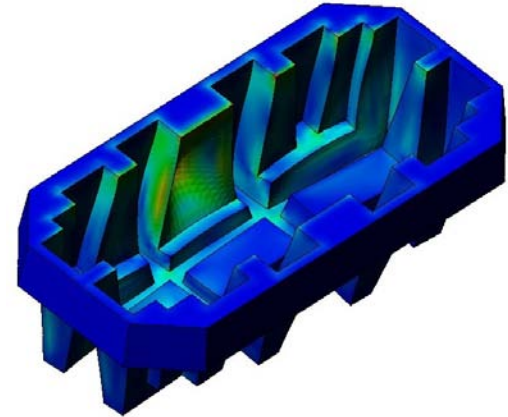
Engineering and Design Advantages with Molded Pulp

- 3D solid modeling of your product and our Molded Pulp solution, for optimal results
- Direct electronic transfer from computer models of Molded Pulp to machine tool paths



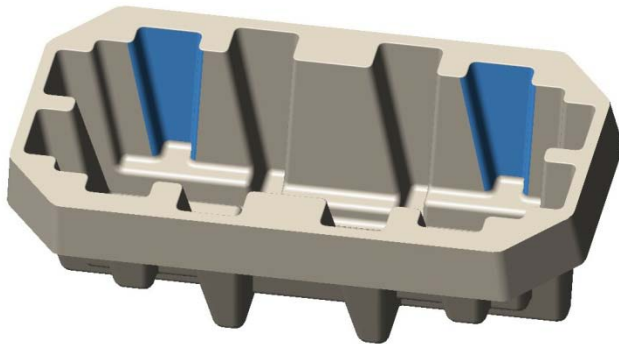
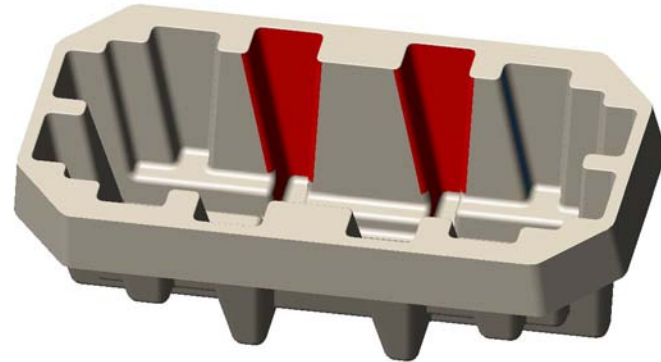
Design Analysis

- Visual and Interference checking of computer prototype
- Engineered calculations to meet your specifications
- Finite Element Analysis to determine optimal functionality

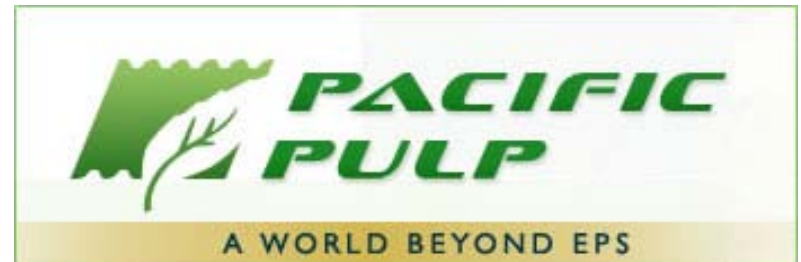


For Packaging Applications: Protection from Multiple Drops

Primary ribs protect your product during initial drop.

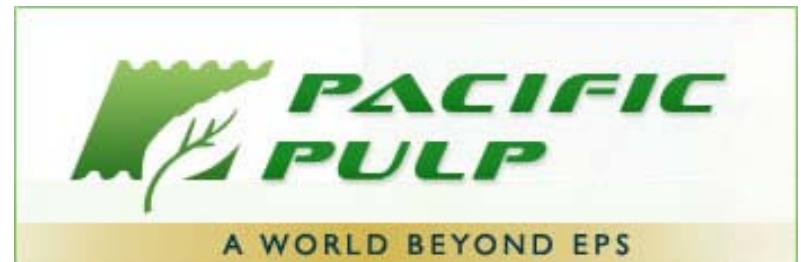


Secondary ribs protect your product after displacement occurs in primary ribs.



Prototypes and Production Tools

- All tools machined directly from CAD design.
- Low cost prototype tool for Molded Pulp testing and approval.
- Aluminum production tool has life of 5 million cycles.



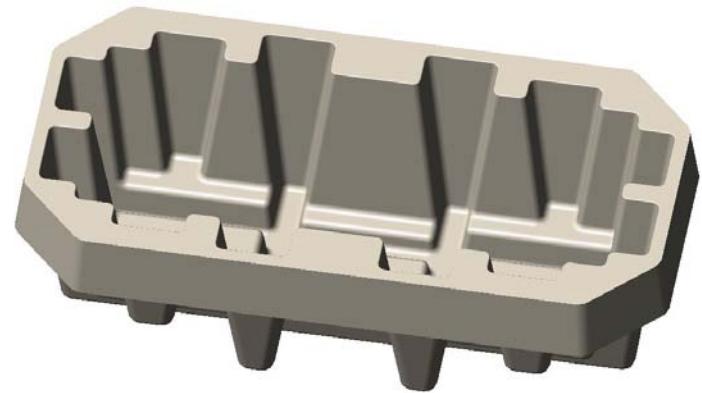
Raw Material Composition

- Recycled Newspaper
- Recycled Corrugated
- No Chemicals
- No Additives



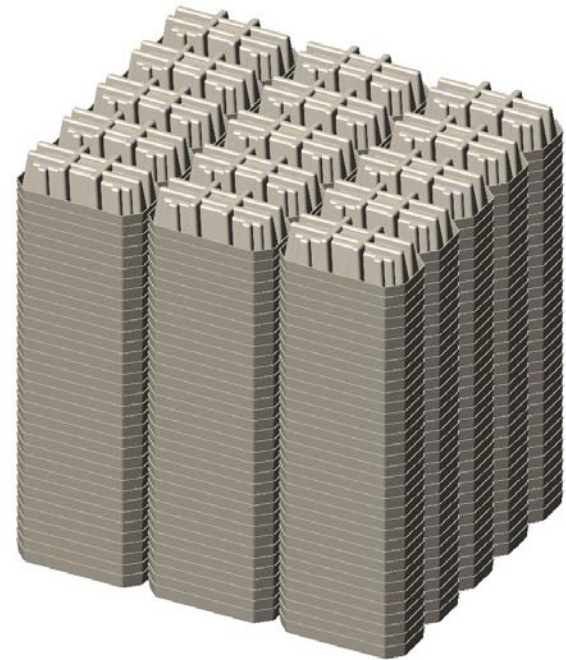
Molded Pulp Price Stability

- Minimal raw material price fluctuations
- Long term price guarantee available



Shipment of Nested Molded Pulp

- Palletized with stretch wrap on corrugated pallets
- Nested to save up to 75% inbound freight costs

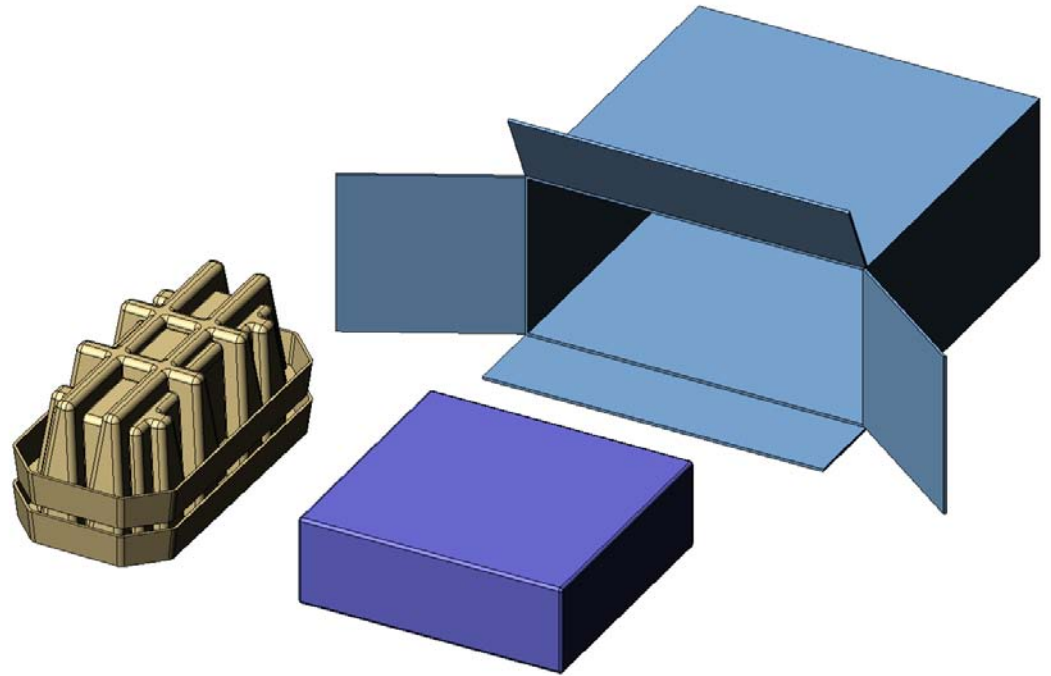


For Packaging Applications: Easy Assembly Into Outer Box

Slide Molded Pulp
endcaps onto your
product;

Slide your product and
endcaps into outer box;

Close outer box.

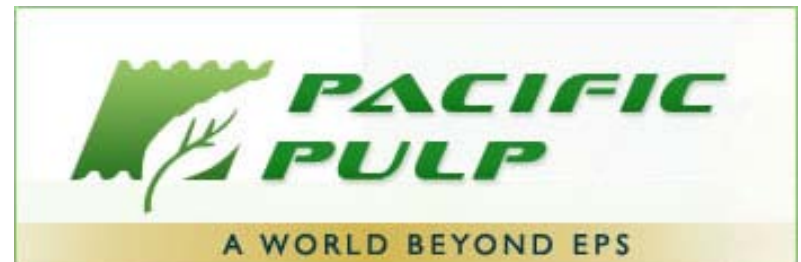
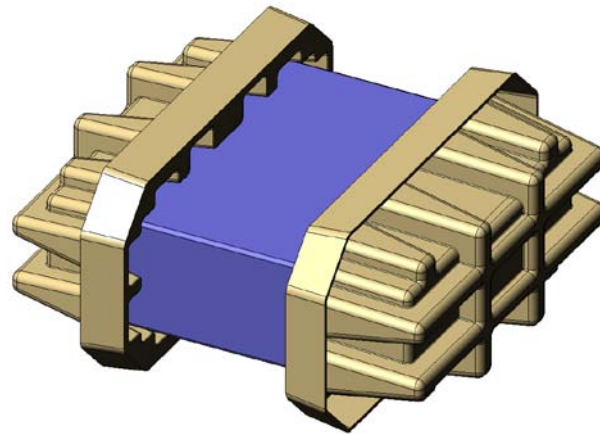


Environmentally Friendly AND Cost Effective

Currently in Europe,
Asia and proposed
for Latin America
and South America:

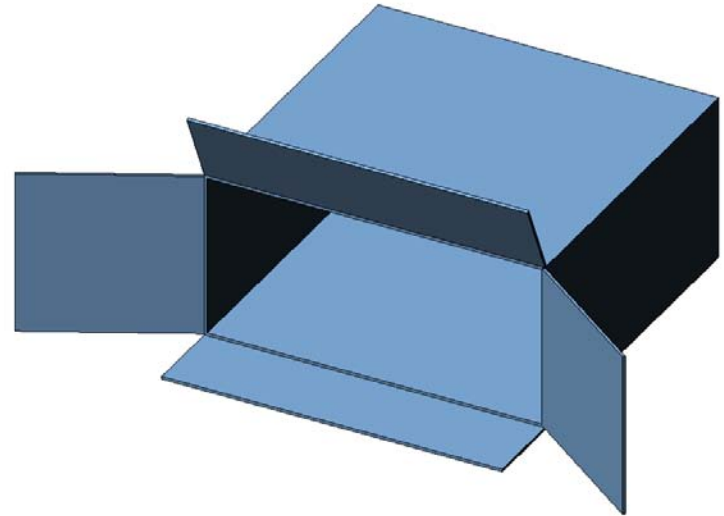
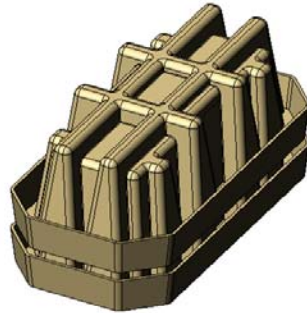
\$.50 per pound
recycling fee for
plastics;

only \$.05 per pound
recycling fee for
Molded Pulp.



Consumer Recycling

- Compostable
- Biodegradable
- 100% recycled
- “Cradle-to-Cradle”
- European Green Dot Compliant
- Conforms to ISO 14000 Standards
- Uses renewable resources



Your end-user consumers can recycle Molded Pulp at curbside with similar paper products.



QUESTIONS?

*Call John McNeil at
Pacific Pulp Molding
(619) 977-5617*

